

Applications Wastewater Treatment

- Refinery Unit Water
- Metal Plating
- Metal Surface Prep
- Steel Cooling
- Food Cooking
- Food Washing
- Food Prep Cleanup
- Wet Scrubbing
- Groundwater Cleanup
- Filter Backwash

Related Components for System Completion

- Non-Shearing Pumps
- Emulsion Breaking
- Chemical Dosing
- Metal Precipitation
- pH Control
- Main Control Panels
- Holding Tanks
- Sludge Pumps
- Transfer Pumps
- Bag Filters
- Multi-Media Filters
- Oil Sorbent Filters
- Effluent Instruments
- Effluent Recording
- Platforms and Stairs
- Carbon and Organo-Clay

The Compliance Master — Oil Water Separator

The Compliance Master Oil Water Separator is a high performance coalescing media type oil water separator. The oil water separator is designed according to API publication 421 criteria, the industry authority on oil water separation science.

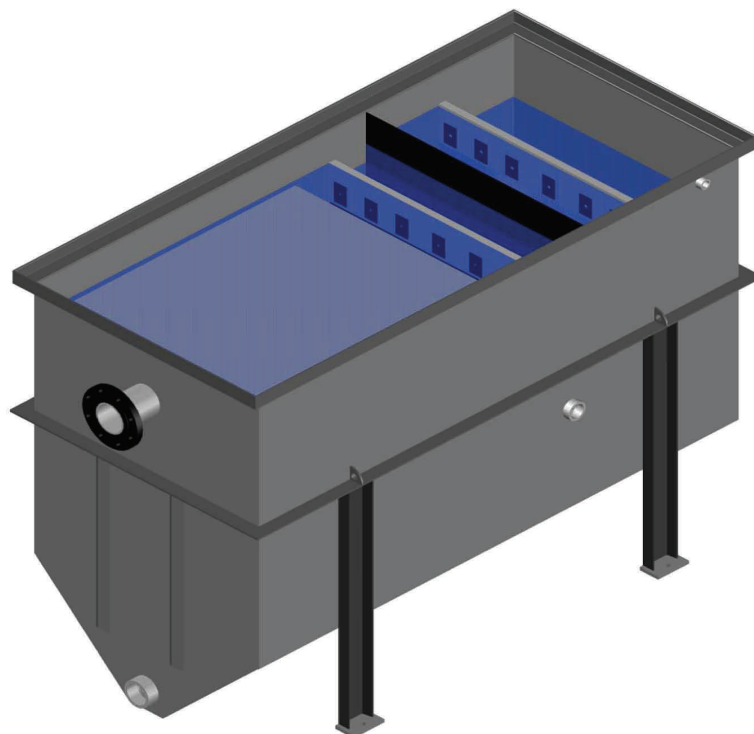
The Compliance Master exploits oils natural tendency to rise in water. Once risen, it is trapped on the surface where it is removed from the water. The Compliance Master also significantly enhances oil removal with high performance coalescing media. The media work by causing a sinusoidal path of oil/water in a media pack designed to cause oil particle impingement on a coalescing surface. Once the oil particle is impinged it is considered removed from the stream or water. The coalesced oil then migrates upward to float on the surface where it is skimmed and removed from the oil water separator.

The Compliance Master is available in a variety of materials of construction and coatings and with accessories, pump packages, and insulation.

APPLIED MECHANICAL TECHNOLOGY—A WORLD CLASS SUPPLIER

Applied Mechanical Technology is a *FULL SERVICE* supplier to the water/wastewater industry. We not only design and build the core technology of our systems and equipment but we also install, optimize, startup, train operators and service them too. If you need a simple oil water separator—or a complete industrial wastewater system, Applied Mechanical Technology has the resources to help you.

Value by Design—High Performance and Low Cost



**APPLIED MECHANICAL
TECHNOLOGY L.L.C.**
WATER / WASTEWATER DIV

PO Box 530
135 Industrial Dr
Momence IL 60954

Phone: 815-472-2700
Fax: 815-272-2930

www.AppliedMechTech.com