

### Applications Wastewater Treatment

- Refinery Unit Water
- Metal Plating
- Metal Surface Prep
- Steel Cooling
- Bilge and Ballast
- Food Processing
- Storm Water
- Wet Scrubbing
- Groundwater
- Chemical Processing
- Tank Cleaning

### Related Components for System Completion

- Non-Shearing Pumps
- Emulsion Breaking
- Chemical Dosing
- Metal Precipitation
- pH Control
- Main Control Panels
- Holding Tanks
- Sludge Pumps
- Transfer Pumps
- Bag Filters
- Multi-Media Filters
- Oil Sorbent Filters
- Effluent Instruments
- Effluent Recording
- Platforms and Stairs
- Carbon and Or-ganoClay

## The Compliance Master — Coalescing Oil Water Separator

The Compliance Master Oil Water Separator is a high performance coalescing media type oil water separator that is designed according to API publication 421 criteria, the industry authority on oil water separation science.

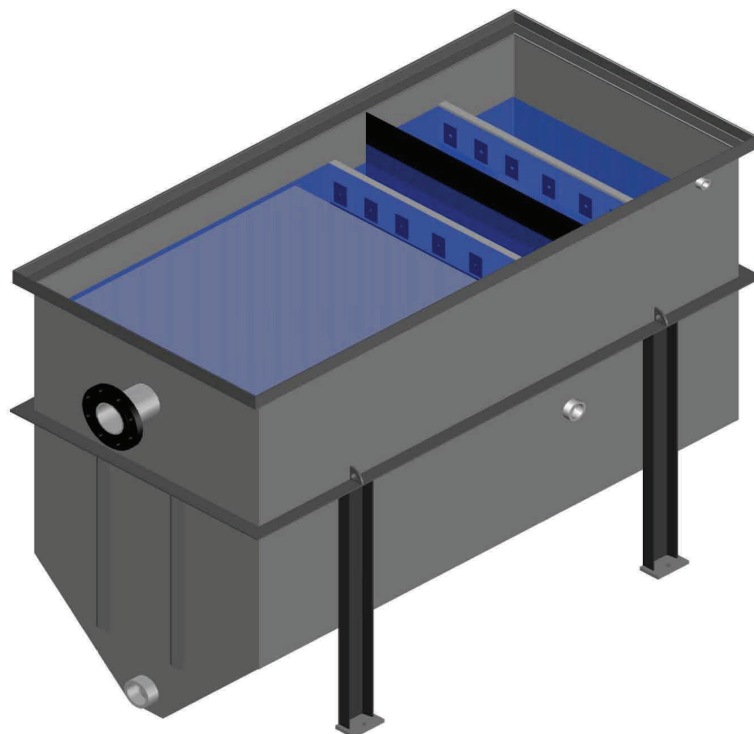
The Compliance Master is designed to provide reliable high performance effluent compliance in a relatively small and affordable system by using specially designed high performance coalescing media that exploits oils natural tendency to rise or sink in water. Various medias are available for a variety of applications. The media work by causing a sinusoidal path of oil/water in a media pack thereby enhancing the rising oil particles impingement on the coalescing surface. When the oil particle is impinged—it is removed from the stream of water. The oil gathering on the coalescing surface naturally moves upward until it floats on the surface where it is then skimmed and flows from the oil outlet.

The Compliance Master is available in a variety of materials of construction and coatings and with accessories, pump packages, and insulation.

### APPLIED MECHANICAL TECHNOLOGY—A WORLD CLASS SUPPLIER

Applied Mechanical Technology is a *FULL SERVICE* supplier to the water/wastewater industry. We not only design and build the core technology of our systems and equipment but we also install, optimize, startup, train operators and service them too. If you need a simple oil water separator—or a complete industrial wastewater system, Applied Mechanical Technology has the resources to help you from design to completion.

### Value by Design—High Performance and Low Cost



**APPLIED MECHANICAL  
TECHNOLOGY L.L.C.**  
WATER / WASTEWATER DIV

PO Box 530  
135 Industrial Dr  
Mokenca IL 60954

Phone: 815-472-2700  
Fax: 815-472-2930

[www.AppliedMechTech.com](http://www.AppliedMechTech.com)